

MORE THAN JUST A CURRENT PROFILER

With thousands of satisfied users around the world, the ADP is proven, capable and versatile. Whether your application is hydrology, oceanography or harbor monitoring, there is an ADP configuration to suit your needs.

FEATURES AND OPTIONS

- Bottom tracking and GPS input for moving boat applications
- PC software for real-time and post-processing
- Side-looking configurations for horizontal profiling
- Water level and wave spectra
- Optional external sensors including CT and turbidity



Underway profiling from a moving boat.



Side-Looking (Horizontal) configuration. Photo courtesy of NOAA

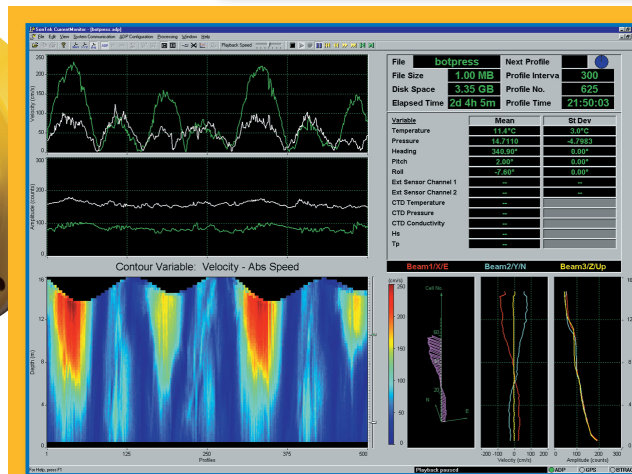


Bottom-moored.



Mid-line mooring.

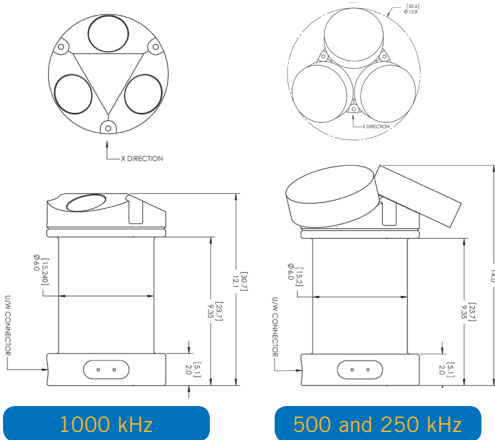
Mooring options and photos courtesy of SIDMAR



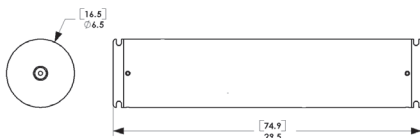
Current Monitor Software

SPECIFICATIONS

Transducer Configurations



Battery Housing



ADP[®] Acoustic Doppler Profiler

Available Frequencies and Ranges

Frequency (kHz)	1000	500	250
Maximum Profiling Range (m)	25-35	70-120	160-180

Velocity Data

- Range: ± 10 m/s
- Resolution: 0.1 cm/s
- Accuracy: $\pm 1\%$ of measured velocity, ± 0.5 cm/s
- Up to 100 range cells

Standard Features

- Robust, digital signal processing
- 8 bit A/D conversion
- Three-beam transducer for 3D current measurement
- Transducer shading for minimal sidelobes
- Oversize piezoelectric ceramic for narrow beams
- Recessed wet-mateable connector
- Temperature sensor
- Internal compass/two axis tilt sensor

Hardware Options

- Two-beam side-looking configuration for horizontal profiling
- Internal recorder
- External battery case
- Strain gage pressure sensor (0.1% accurate)
- Internal RPT pressure sensor (0.01% accurate), (20m max depth limit)

Performance Options

- Bottom tracking/GPS interface for use from a moving boat
- SonWave wave spectrum package
- SonWave Pro directional wave package

PC Software Options

- RiverSurveyor classic package for real-time river discharge measurements from moving boats
- CurrentSurveyor for velocity profiling from a moving vessel
- CurrentMonitor for fixed installations
- ViewADP for post-processing

External Sensor Options

- MicroCat CT
- OBS turbidity

Power Consumption (Typical Continuous Operation)

- 12-24 VDC
- 2.0-5.0 W Operating mode (configuration dependant)
- Less than 1 mW Sleeping mode
- Total battery capacity (3 packs at 5° C): Alkaline 1800 Wh

Compass/Tilt Sensor

- Resolution: Heading, Pitch, Roll 0.1°
- Accuracy: Heading $\pm 2^\circ$
- Accuracy: Pitch, Roll $\pm 1^\circ$



Approtek Mooring cages for medium and high depth ADP deployment.



GLOBAL HEADQUARTERS

SonTek/YSI
 9940 Summers Ridge Road
 San Diego, CA 92121
 Tel: (1) 858-546-8327
 Fax: (1) 858-546-8150
 inquiry@sontek.com
 www.sontek.com

SonTek and ADP are registered trademarks of YSI Inc. Specifications subject to change without notice. SonTek/YSI is an employee-owned company. Lit: 510-02-0810

